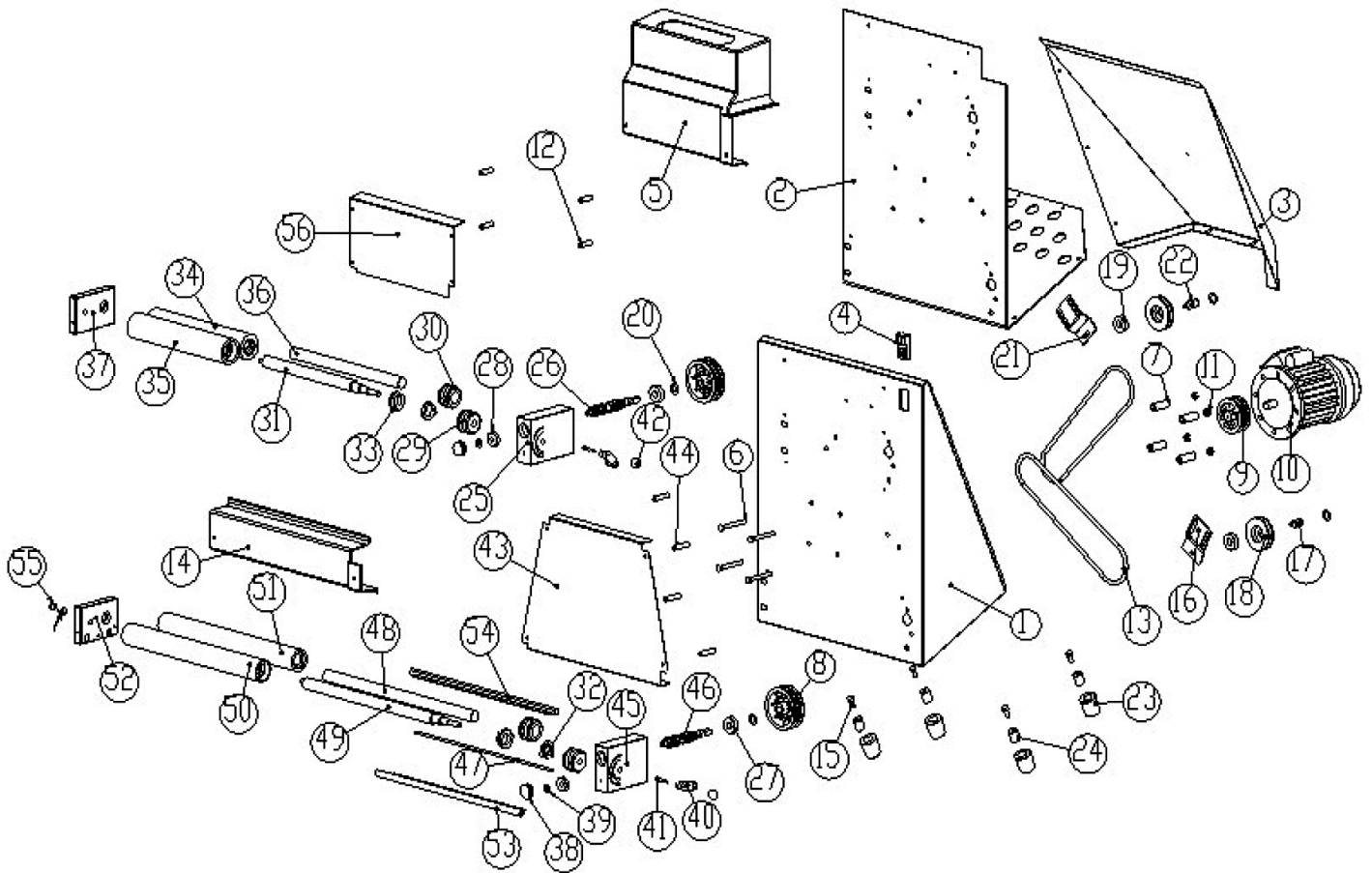


Parts Breakdown

Model BE-CN-0400 39638



Parts Breakdown

Model BE-CN-0400 39638

Item No.	Description	Position	Item No.	Description	Position	Item No.	Description	Position
41970	Body for 39638	1	41989	Ring for 39638	20	42008	Ring for 39638	39
41971	Board for 39638	2	41990	Fix Block A for 39638	21	42009	Ball Handle for 39638	40
41972	Back Cover for 39638	3	41991	Locating Shaft A for 39638	22	42010	Bar for 39638	41
41973	Switch for 39638	4	41992	Rubber Foot for 39638	23	42011	Ball Handle for 39638	42
41974	Up Cover for 39638	5	41993	Rubber Bar for 39638	24	42012	Lower Plate for 39638	43
41975	Screw for 39638	6	41994	Supporter-B for 39638	25	42013	Supporter Bar-A for 39638	44
41976	Supporting Tube for 39638	7	41995	Worm-A for 39638	26	42014	Supporter-C for 39638	45
41977	Belt Wheel-B for 39638	8	41996	Axle Tree-A for 39638	27	42015	Worm-B for 39638	46
41978	Belt Wheel-A for 39638	9	41997	Axle Tree-B for 39638	28	42016	Supporting Axle for 39638	47
41979	Motor for 39638	10	41998	Worm Wheel-A for 39638	29	42017	Roller Shaft-A for 39638	48
41980	Nut for 39638	11	41999	Worm Wheel-B for 39638	30	42018	Eccentric Axle-B for 39638	49
41981	Supporter Bar-B for 39638	12	42000	Eccentric Axle-A for 39638	31	42019	Roller-C for 39638	50
41982	Belt for 39638	13	42001	Transit Ring for 39638	32	42020	Roller-A for 39638	51
41983	Low Cover for 39638	14	42002	Transit Ring for 39638	33	42021	Supporter-D for 39638	52
41984	Screw for 39638	15	42003	Roller-B for 39638	34	42022	Scraper-A for 39638	53
41985	Fix Block B for 39638	16	42004	Roller-D for 39638	35	42023	Scraper-B for 39638	54
41986	Locating Shaft B for 39638	17	42005	Roller Shaft-B for 39638	36	42024	Spring for 39638	55
41987	Tension Wheel for 39638	18	42006	Supporter-A for 39638	37	42025	Upper Plate for 39638	56
41988	Bearing for 39638	19	42007	Cover for 39638	38			